

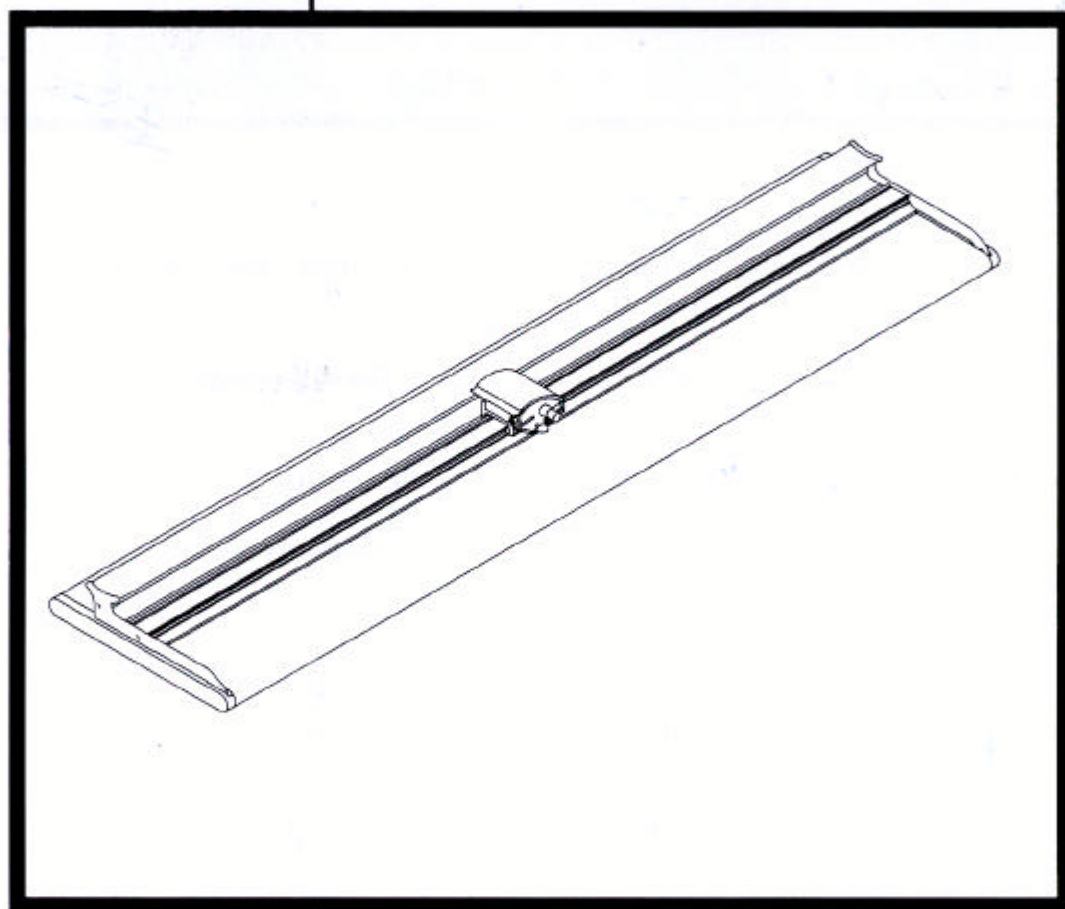
Flexo-Technic Handels GmbH

Phone +49(0)6181-6709055
Fax +49(0)6181-6709056
E-Mail FTH.GMBH@t-online.de

Flexo-Technic Handels GmbH

Phone +49(0)6181-6709055
Fax +49(0)6181-6709056
E-Mail FTH.GMBH@t-online.de

GB INSTRUCTION MANUAL



Flexo-Technic Handels GmbH

Phone +49(0)6181-6709055
Fax +49(0)6181-6709056
E-Mail FTH.GMBH@t-online.de

Flexo-Technic Handels GmbH

Phone +49(0)6181-6709055
Fax +49(0)6181-6709056
E-Mail FTH.GMBH@t-online.de

Flexo-Technic Handels GmbH

Phone +49(0)6181-6709055
Fax +49(0)6181-6709056
E-Mail FTH.GMBH@t-online.de

Flexo-Technic Handels GmbH

Phone +49(0)6181-6709055
Fax +49(0)6181-6709056
E-Mail FTH.GMBH@t-online.de

SAFETY

- The blade must be removed before moving, cleaning or lifting the Cutter.
- Only lift or move the Cutter using the Base Plate and keep upright when doing so.
- Do not place your fingers near the blade when using the machine.
- Do not use the Cutter if there are any signs of damage to the Cutting Head or Cutter Bar Assembly.

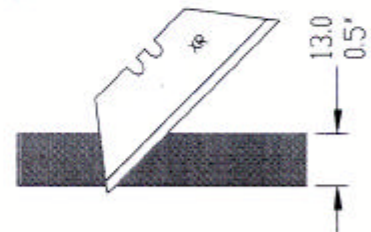


CUTTING DEPTH AND BLADE INFORMATION

The General Purpose Cutter has been designed to cut a variety of boards to a thickness of 10mm (0.4") using a Medium Duty utility blade.



However, an increased cutting depth of 13mm (0.5") can be obtained using the XR utility blade



Flexo-Technic Handels GmbH

Phone +49(0)6181-6709055
Fax +49(0)6181-6709056
E-Mail FTH.GMBH@t-online.de

Flexo-Technic Handels GmbH

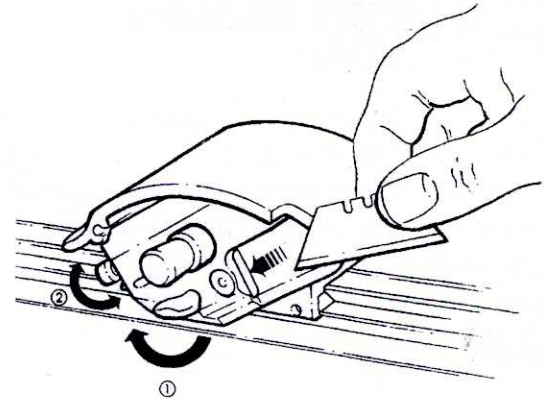
Phone +49(0)6181-6709055
Fax +49(0)6181-6709056
E-Mail FTH.GMBH@t-online.de


Phone +49(0)6181-6709055
 Fax +49(0)6181-6709056
 E-Mail FTH.GMBH@t-online.de

Phone +49(0)6181-6709055
 Fax +49(0)6181-6709056
 E-Mail FTH.GMBH@t-online.de

INSERTING THE BLADE AND SETTING THE DEPTH

1. The blade is inserted from the back of the blade holder, push it fully forward and tighten the wingbolt.
2. To set the blade for a repeatable cutting depth unclamp the blade and turn the knob at the front of the cutter, clockwise to increase blade depth & counter clockwise to decrease. Re-clamp the blade before use.

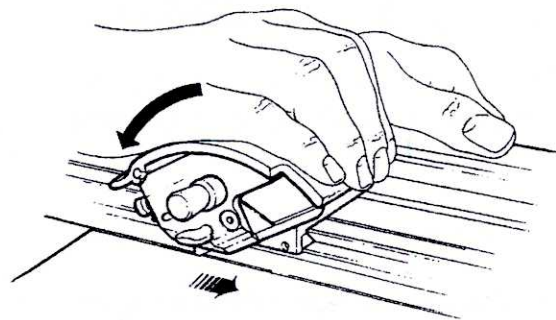


 Set the blade depth so that you are only just cutting through the board, it takes much less effort and produces a better cut.

OPERATION

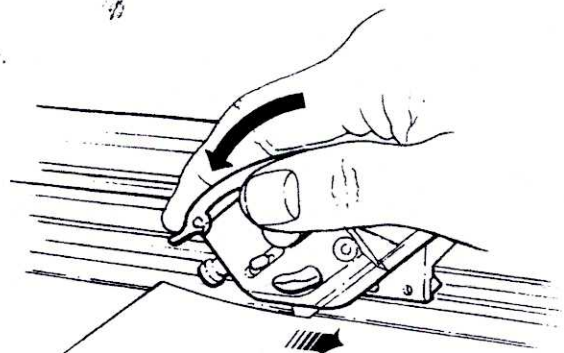
.....for cutting foam centred board, PVC foambord and heavyweight materials.

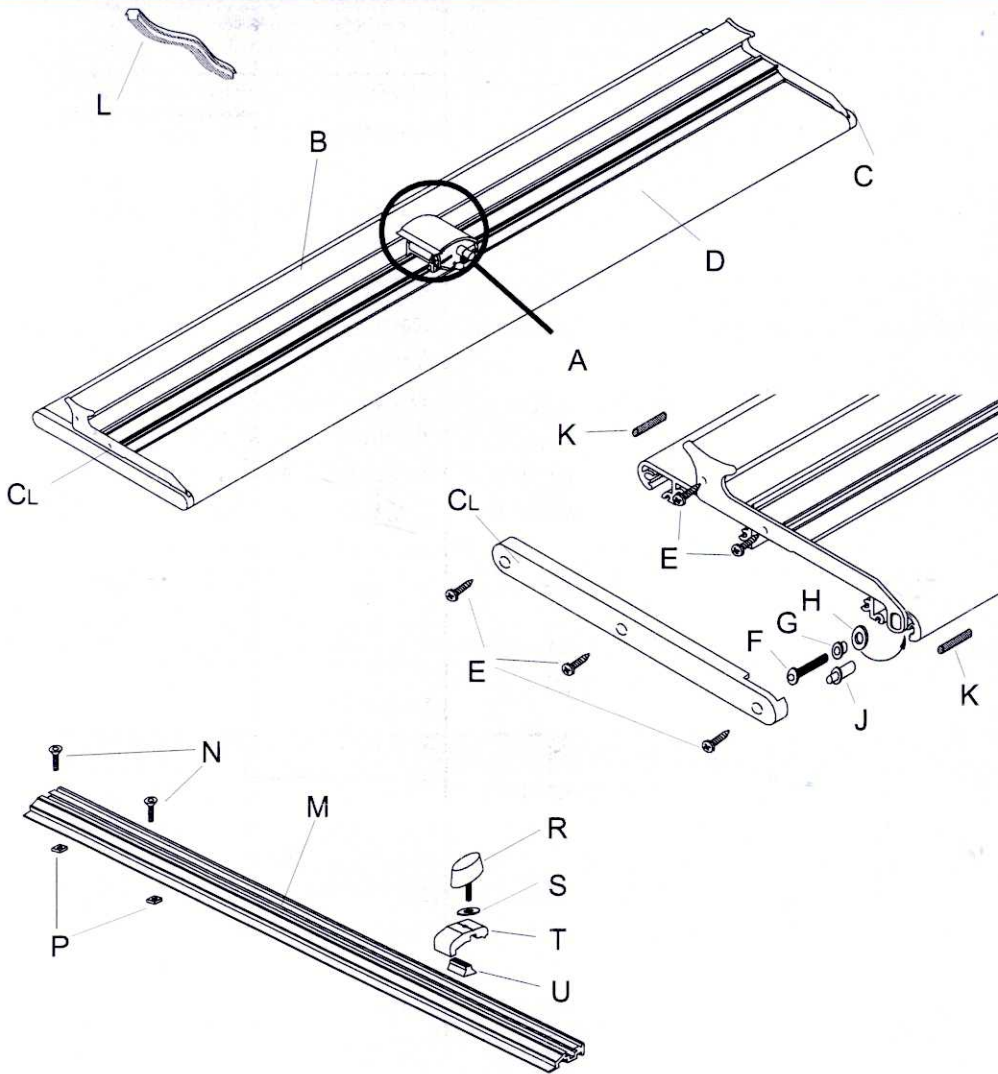
Position the material under the cutter and align the sight edge with your cutting marks. The cutter will cut within 0.5 to 1mm [0.02" to 0.04"] of the sight edge, this small gap allows easier alignment when cutting to the edge of an image. Place your hand on the cutter, as shown, with the palm of your hand positioned over the groove on the front edge of the cutter. Place your left hand on the finger grip of the straight edge, depress the cutter and push it away from you to cut. Dependant upon the nature and thickness of the material you may need to take more than one cut gradually increasing the depth.



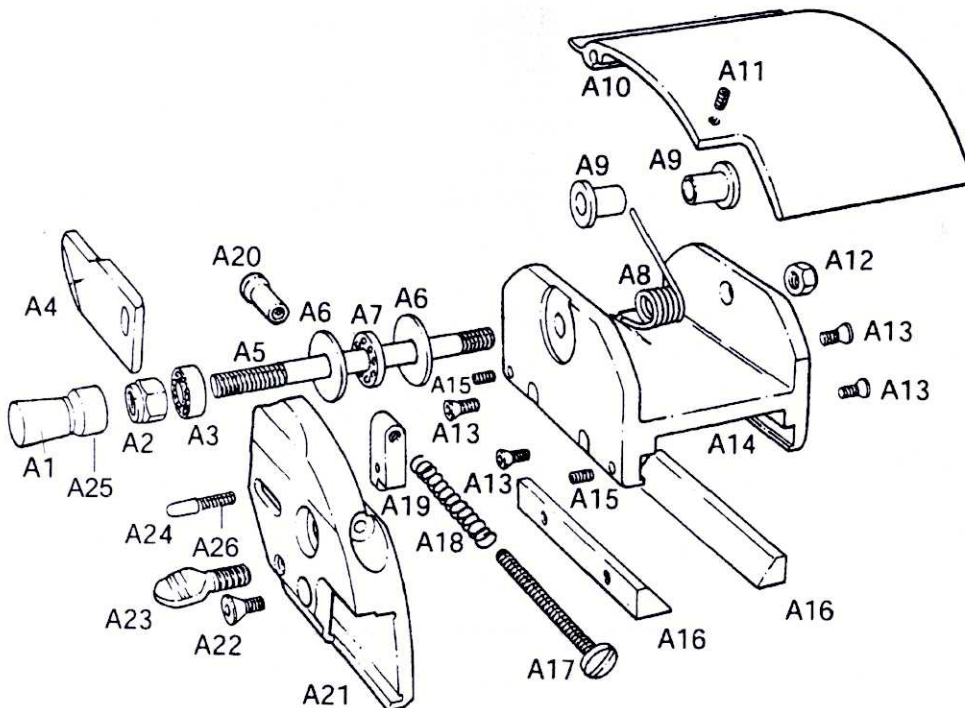
.....for cutting film and lightweight materials.

Position the material under the cutter and align the sight edge with your cutting marks. The cutter will cut within 0.5 to 1mm [0.02" to 0.04"] of the sight edge, this small gap allows easier alignment when cutting to the edge of an image. Place your hand on the cutter, as shown, with your finger tips positioned in the groove across the front edge of the cutter. Depress the cutter and pull to cut, there is no need to hold the cutter down when cutting





Key	Code	Key	Code
A	KS11/003	A1	KU01/071
B	KP0*/100	A2	CA30/023
CL	CA75/125	A3	CA25/052
CR	CA75/126	A4	CA10/250
D	KS11/10*	A5	KJ01/102
E	CA30/249	A6	CA30/122
F	CA30/167	A7	CA30/160
G	CA75/127	A8	CA25/164
H	CA30/277	A9	CA25/163
J	KS11/102	A10	KJ01/101
K	KS11/104	A11	CA30/137
L	CA75/113*	A12	CA30/214
M	KT05/107	A13	CA30/200
N	CA30/117	A14	KJ01/104
P	CA30/275	A15	KU11/141
R	CA30/007	A16	CA75/115
S	CA30/033	A17	CA30/247
T	KT05/108	A18	CA25/162
U	KL01/066	A19	KJ01/108
		A20	KJ01/103
		A21	KJ01/100
		A22	CA30/028
		A23	CA30/039
		A24	CA30/064
		A25	CA75/061
		A26	CA75/083



**Flexo-Technic
Handels GmbH**

Von-Eiff-Strasse 23
63456 Hanau